

## Nominal data

Type	5318 /2 TDHP	
Nominal voltage	VDC	48
Nominal voltage range	VDC	36 .. 72
Speed	min <sup>-1</sup>	6000
Power input	W	42
Min. ambient temperature	°C	-20
Max. ambient temperature	°C	70
Air flow	m <sup>3</sup> /h	410
Sound power level	B	7.7
Sound pressure level	dB(A)	70

ml = Max. load · me = Max. efficiency · fa = Running at free air · cs = Customer specs · cu = Customer unit  
Subject to alterations

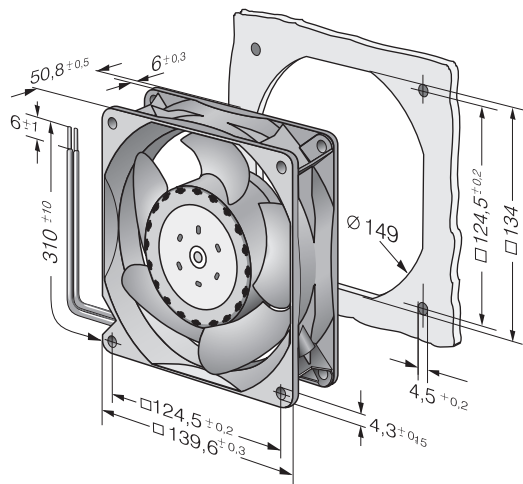
**Technical features**

<b>General description</b>	Free air power consumption, these values may be considerably higher at the operating point.
<b>Impeller material</b>	Fibreglass-reinforced plastic (PA)
<b>Mass</b>	0.900 kg
<b>Dimensions</b>	140 x 140 x 51 mm
<b>Housing material</b>	Die-cast aluminium
<b>Direction of air flow</b>	Inlet over bars
<b>Direction of rotation</b>	Counterclockwise, looking at rotor
<b>Bearing</b>	Ball bearings
<b>Lifetime L10 at 40 °C</b>	70000 h
<b>Lifetime L10 at maximum temperature</b>	35000 h
<b>Connection line</b>	With single strands AWG 20 and AWG 22, TR 64
<b>Motor protection</b>	Protected against reverse polarity and locking.

5318 /2 TDHP

# DC axial compact fan

## Product drawing



## Charts: Air flow

